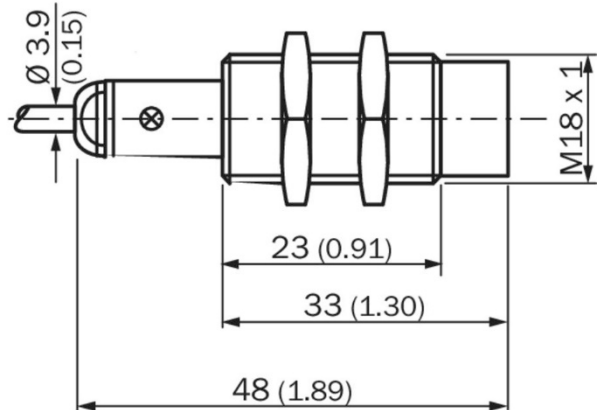


PROXIMITY SENSORS FOR FLOW TYPE PROBE-HOLDERS. MODELS NPN and PNP



GENERAL TECHNICAL DATA

Housing	Metric shape, short constructive solution
Threading size	M18 x 1
Diameter	Ø 18 mm
Commutation distance S_n	12 mm
Protected commutation distance S_a	9.72 mm
Metallic mounting	Not level assembly
Commutation frequency	1,000 Hz
Connection type	PVC cable, 3-wire (0,25 mm ²), length 2 m
Commutation output	NPN or PNP, depending on model
Output configuration	N/O
Electrical equipment	DC, 3 wires
Protection rate	IP67

MECHANICAL AND ELECTRICAL CHARACTERISTICS

Power supply voltage	10 ... 30 V DC
Voltage drop	≤ 2 V
Current consumption	10 mA
Availability delay	≤ 100 ms
Hysteresis	5 ... 15 %
Repeatability	≤ 2 %

Thermal drift (d S _r)	10 %
Continuous current I _A	≤ 200 mA
Anti-short-circuit protection	✓
Protection against polarity reversal	✓
Activation impulse protection	✓
Resistance to vibrations and shocks	30 g, 11 ms/10 Hz ... 55 Hz, 1 mm
Ambient working temperature	-25 °C ... +75 °C
Housing material	Nickel-plated brass
Material of the active surface	Plastic, PA66
Length	48 mm
Useful thread length	23 mm
Max tightening torque	≤ 40 Nm
Included equipment	Nickel-plated brass fixing nut (2 x)

Item	Description	Part No.
SD-SF/PNP	PNP flow sensor for SD and CLE12/CLE11 flow probe-holders, for connection to instrument series S507 / S508 / EF300	54500009
SD-SF/NPN	NPN flow sensor for SD and CLE12/CLE11 flow probe-holders, for connection to instruments MC14 / EF214 / EF315	54500010
SD-SF/NPN M8	NPN flow sensor for SD and CLE12/CLE11 flow probe-holders, with M8 connector, for connection to pumps PROXIMA PSP / EF160 EVO	80610000