

Dissolved Oxygen Meter Kit

850081DOK

Instruction Manual

Dissolved Oxygen Meter Kit - 850081DOK

Copyright ©2017 by Sper Scientific

ALL RIGHTS RESERVED

Printed in the USA

The contents of this manual may not be reproduced or transmitted in any form or by any means electronic, mechanical, or other means that do not yet exist or may be developed, including photocopying, recording, or any information storage and retrieval system without the express permission from Sper Scientific.

SPER SCIENTIFIC LTD.
8281 E. Evans Rd., Suite #103
Scottsdale, AZ 85260
(480) 948-4448

TABLE OF CONTENTS

| | |
|---------------------------------|----|
| INTRODUCTION | 4 |
| FEATURES..... | 5 |
| MATERIALS SUPPLIED..... | 5 |
| FRONT PANEL DESCRIPTION..... | 6 |
| SETUP | 7 |
| MEASUREMENT FUNCTIONS | 10 |
| pH MEASUREMENTS | 12 |
| DO MEASUREMENTS..... | 15 |
| CONDUCTIVITY MEASUREMENTS | 17 |
| SPECIFICATIONS | 21 |
| PROBES | 21 |
| ACCESSORIES | 23 |
| WARRANTY..... | 24 |

INTRODUCTION

This Sper Scientific Dissolved Oxygen Meter Kit (Model 850081DOK) comes with dissolved oxygen (DO) probe (850081DO) and also uses optional, interchangeable probes to read pH, millivolt (mV)/ oxygen reduction potential (ORP), conductivity, total dissolved solids (TDS), salinity, and temperature. Order only the probes required for your current parameters and add additional probes in the future.

Only 850081DO probe comes with this kit. Other Probes are optional.

The meter features include readings in °C or °F, automatic temperature compensation (ATC) and salinity and altitude compensation for DO measurements.

Additional features include automatic shutoff, minimum and maximum values, a fold-out easel back and a tripod mounting screw. Automatically recognizes pH buffers 4, 7 and 10 for simple calibration when using optional probes

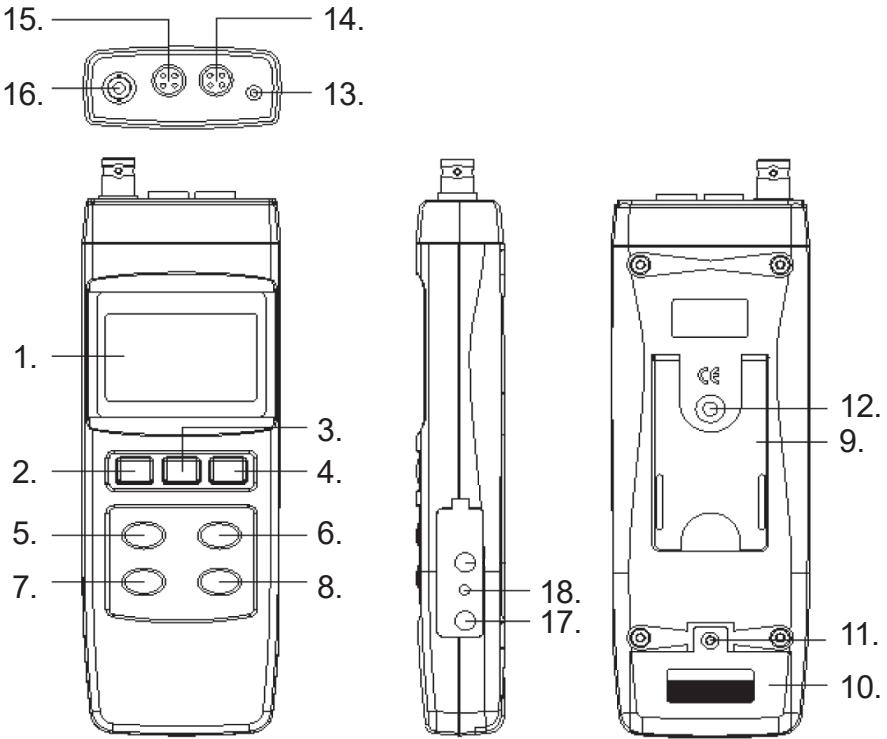
FEATURES

- Reads DO, and has the option to read pH, mV/ORP, conductivity, TDS, salinity and temperature with optional probes
- Automatic temperature compensation
- Salinity and altitude compensation for DO measurements
- Maximum and minimum values
- Hold function
- Temperature units in °C or °F
- Automatic calibration recognition of pH buffers when using optional pH probe (840016)
- Battery or optional DC 9V power adapter
- Tripod mounting screw
- Automatic shutoff
- Backlight

MATERIALS SUPPLIED

- Water Quality Meter
- Instruction Manual
- DC 9V Battery
- Hard Carrying Case

FRONT PANEL DESCRIPTION



- 1. LCD Display
- 2. Power/Backlight Button
- 3. Hold/Escape Button
- 4. Record Button
- 5. ▲/Range Button
- 6. ▼/Function Button
- 7. Set Button
- 8. Enter Button
- 9. Easel Stand
- 10. Battery Compartment Cover
- 11. Battery Compartment Cover Screw
- 12. Tripod Mounting Screw
- 13. Temperature Probe Socket
- 14. Dissolved Oxygen Probe Socket
- 15. Conductivity Probe Socket
- 16. pH Probe/BNC Socket
- 17. DC 9V Power Adapter Socket
- 18. Reset Button

SETUP

Meter On and Off

1. Press **POWER** to turn the meter **on**.
2. Press and hold **POWER** for 3 seconds and release to turn the meter **off**.

Backlight

The backlight will illuminate automatically when the meter is turned **on**.

1. Press the backlight button to turn the backlight **off**.
2. Press the backlight button again to turn the backlight **on**.

Entering Setup Mode

1. Press **POWER** to turn the meter **on**.
2. Press **SET** for two seconds to enter Setup Mode.
3. Press **SET** to cycle through the options until the desired parameter is displayed.
4. Press **ESC** at any time to exit Setup Mode.

Automatic Shutoff

1. In Setup Mode, press **SET** until “PoFF” is displayed.
2. Press **▲** or **▼** to toggle between “Yes” (automatic shutoff is **on**) or “No” (disable automatic shutoff).
3. Press **ENTER** to save the selection.
4. Press **SET** to continue to the next setup parameter, or press **ESC** to exit Setup Mode.

Beeper

1. In Setup Mode, press **SET** until “bEEP” is displayed.
2. Press **▲** or **▼** to toggle between “Yes” (beeper is **on**) or “No” (disable beeper).
3. Press **ENTER** to save the selection.
4. Press **SET** to continue to the next setup parameter, or press **ESC** to exit Setup Mode.

Select Temperature Units

1. In Setup Mode, press **SET** until “t-CF” is displayed.
2. Press **▲** or **▼** to toggle between °C or °F.
3. Press **ENTER** to save the selection.
4. Press **SET** to continue to the next setup parameter, or press **ESC** to exit Setup Mode.

Select DO Salinity Compensation

This feature is active in DO Mode only.

1. In Setup Mode, press **SET** until “SALt” is displayed.
2. The default value is 0%. Press **▲** or **▼** to adjust the upper salinity compensation value.
3. Press **ENTER** to save the selection.
4. Press **SET** to continue to the next setup parameter, or press **ESC** to exit Setup Mode.

Select DO Altitude Compensation in Meters

This feature is active in DO Mode only.

1. In Setup Mode, press **SET** until “HIGh” is displayed.
2. The default value is 0 meters. Press ▲ or ▼ to adjust the upper altitude compensation value in increments of 100 meters.
3. Press **ENTER** to save the selection.
4. Press **SET** to continue to the next setup parameter, or press **ESC** to exit Setup Mode.

Select DO Altitude Compensation in Feet

This feature is active in DO Mode only.

1. In Setup Mode, press **SET** until “HIGhF” is displayed.
2. The default value is 0 feet. Press ▲ or ▼ to adjust the upper altitude compensation value in increments of 100 feet.
3. Press **ENTER** to save the selection.
4. Press **SET** to continue to the next setup parameter, or press **ESC** to exit Setup Mode.

Select Conductivity Temperature Compensation Value

This feature is active in Conductivity Mode only.

1. In Setup Mode, press **SET** until “PEr C” is displayed.
2. The default value is 2% per ° C. Press ▲ or ▼ to adjust the upper temperature compensation value.
3. Press **ENTER** to save the selection.
4. Press **ESC** to exit Setup Mode.

Select pH Manual Temperature Compensation Value

This feature is active in pH Mode only.

1. In Setup Mode, press **SET** until “t-SEt” is displayed.
2. The default value is 25° C / 77° F. Press ▲ or ▼ to adjust temperature compensation value.
3. Press **ENTER** to save the selection.
4. Press **ESC** to exit Setup Mode.

System Reset

If the meter appears unresponsive or pressing the keys produces no result, reset the system:

1. With the meter **on**, open the cover on the side of the meter.
2. Use a pin or the end of a paperclip to press **RESET**.

MEASUREMENT FUNCTIONS

Select Function (Mode)

1. Press **POWER** to turn the meter **on**.
2. Press **FUNCTION** to cycle through the available modes until the desired function is displayed:

- PH
- OrP – oxidation-reduction potential
- do – dissolved oxygen
- O2 - oxygen
- Cd - conductivity
- tdS – total dissolved solids
- SALt – salinity

3. Follow the specific measurement procedures for the parameter in use.

| Parameter | Page |
|------------------|-------------|
| pH | 12 |
| mV (ORP) | 14 |
| DO | 15 |
| O2 | 16 |
| Conductivity | 17 |
| TDS | 19 |
| Salinity | 19 |

Data Hold Function

1. During measurement, press **HOLD** to freeze the reading on the display. “Hold” appears on the LCD.
2. Press **HOLD** to return to Normal Mode.

Minimum and Maximum Values

1. During measurement, press **REC** to begin recording the readings. “REC” displays on the LCD.
2. Press **REC** to display the maximum value. “REC MAX” will display.
3. Press **REC** to display the minimum value. “REC MIN” will display.
4. Press **REC** for 2 seconds to clear MIN/MAX and return to Normal Mode.

pH MEASUREMENT

(for use with 840016, 840049 & 840051 optional probes)

Calibration

The pH probe should be calibrated before first use.

Recalibrate regularly to ensure highly accurate measurement.

Note...

Calibration should begin with pH 7.00 and then be followed by either pH 4.00 or pH 10.00. Be sure to rinse the electrode in distilled water between calibration points.

The entire two-point calibration procedure should be repeated at least twice.

pH Probe Calibration with Automatic Temperature Compensation *(for use with 840038 optional probe)*

1. Plug and secure the pH probe into the pH socket on top of the meter.
2. Plug the optional temperature probe (840038) into the **TEMP** socket on top of the meter.
3. Press **POWER** to turn the meter **on**.
4. Press **FUNCTION** to cycle through the available functions until "pH" is displayed.
5. Immerse the pH probe and the temperature probe into the standard buffer solution.
6. Gently shake the pH electrode.
7. The pH value and the temperature of the solution are displayed.
8. Press and hold **▲** and **▼** until "pH" and "CAL" are displayed.
9. Press **▲** or **▼** to select 4.00, 7.00, or 10.00 calibration to correspond with the buffer solution.
10. Press **ENTER** to save the calibration data and return to Normal Mode.

11. To clear the existing calibration data, select “CLr” from the calibration options.
12. Press **ENTER** to confirm the selection and return to Normal Mode.

pH Probe Calibration with Manual Temperature Compensation

1. Plug and secure the pH probe into the pH socket on top of the meter.
2. Press **POWER** to turn the meter **on**.
3. Press **FUNCTION** to cycle through the available functions until “pH” is displayed.
4. Immerse the pH probe into the standard buffer solution.
5. Gently shake the pH electrode.
6. The pH value and the manual temperature setting are displayed.
7. Press and hold ▲ and ▼ until “pH” and “CAL” are displayed.
8. Press ▲ or ▼ to select 4.00, 7.00, or 10.00 calibration to correspond with the buffer solution.
9. Press **ENTER** to save the calibration data and return to Normal Mode.
10. To clear the existing calibration data, select “CLr” from the calibration options.
11. Press **ENTER** to confirm the selection and return to Normal Mode.

pH Measurement with Automatic Temperature Compensation

1. Plug and secure the pH probe into the pH socket on top of the meter.

2. Plug the temperature probe into the **TEMP** socket on top of the meter.
3. Press **POWER** to turn the meter **on**.
4. Press **FUNCTION** to cycle through the available functions until “pH” is displayed.
5. Immerse the temperature probe into the solution to be measured.
6. Hold the pH electrode handle and immerse the sensing head completely into the solution.
7. Gently shake the electrode.
8. The pH value and the temperature of the solution are displayed.

pH Measurement with Manual Temperature Compensation

1. Plug and secure the pH probe into the pH socket on top of the meter.
2. Press **POWER** to turn the meter **on**.
3. Press **FUNCTION** to cycle through the available functions until “pH” is displayed.
4. Hold the electrode handle and immerse the sensing head completely into the solution to be measured.
5. Gently shake the electrode.
6. The pH value and the manual temperature setting are displayed.

mV (ORP) Measurement *(for use with 850088 optional probe)*

1. Plug and secure the pH/ORP probe (850088) into the pH socket on top of the meter.

2. Press **POWER** to turn the meter **on**.
3. Press **FUNCTION** to cycle through the available functions until “OrP” is displayed.
4. Hold the electrode handle and immerse the sensing head completely into the solution to be measured.
5. Gently shake the electrode.
6. The mV value is displayed.

Note...

During pH measurement, simply press **FUNCTION** to switch to ORP measurement.

DO MEASUREMENT

DO Probe Calibration

Note...

The DO probe MUST be filled with electrolyte before first use. It must be stored with electrolyte solution

The DO probe should be calibrated before first use. For the highest level of accuracy, recalibrate before each use.

Air calibration (20.9%) is recommended for simple and precise calibration. Calibration should be performed in a well-ventilated environment.

1. Plug the DO probe into the DO socket on top of the meter.
2. Press **POWER** to turn the meter **on**.
3. Press **FUNCTION** to cycle through the available functions until “O2” is displayed.
4. Wait 5 minutes until the readings stabilize.
5. Press and hold ▲ and ▼ until “CAL” and “20.9” are displayed.

6. Press **ENTER**. The display will count down from 30 to 0 as calibration occurs.
7. The meter returns to Normal Mode.

Do Measurement

1. Plug the DO probe (850081DO) into the DO socket on top of the meter.
2. Press **POWER** to turn the meter **on**.
3. Press **FUNCTION** to cycle through the available functions until “do” is displayed.
4. Hold the electrode handle and immerse the sensing head at least 10 cm into the solution to be measured.
5. Wait several minutes for the probe and solution to reach thermal equilibrium.
6. With the probe tip immersed in the solution, shake the probe or make sure that the liquid has a velocity of at least 0.2 – 0.3 m/s. (A magnetic agitator is recommended to reduce errors due to the diffusion of the oxygen present in the air into the solution.)
7. The DO values in mg/L and the temperature of the solution are displayed.
8. Rinse the probe with tap water after each series of measurements.

Oxygen in the Air

1. Plug the DO probe (850081DO) into the DO socket on top of the meter.
2. Press **POWER** to turn the meter **on**.
3. Press **FUNCTION** to cycle through the available functions until “O2” is displayed.
4. The percentage of oxygen in the air is displayed.

CONDUCTIVITY MEASUREMENT

(for use with 850081C/TD or 850081C/SG optional probes)

Conductivity Probe Calibration

The conductivity probe should be calibrated before first use. Recalibrate the probe periodically to ensure accuracy.

Note...

One-point calibration should be executed at 1.413 mS. For multi-point calibration, execute 1.413 first and then proceed to other ranges.

1. Plug the conductivity probe into the CD socket on top of the meter.
2. Press **POWER** to turn the meter **on**.
3. Press **FUNCTION** to cycle through the available functions until "Cd" is displayed.
4. Hold the electrode handle and immerse the sensing head completely into the standard buffer solution.
5. Gently shake the electrode.
6. The conductivity value and the temperature of the solution are displayed.
7. Press and hold ▲ and ▼ until "Cd" and "CAL" are displayed.
8. Press **ENTER** to display the values.
9. Press ▲ or ▼ to adjust the conductivity value to correspond with the standard buffer.
10. Press **ENTER** to save the calibration data and return to Normal Mode.

Conductivity Measurement

1. Plug the conductivity probe into the CD socket on top of the meter.
2. Press **POWER** to turn the meter **on**.
3. Press **FUNCTION** to cycle through the available functions until “Cd” is displayed.
4. Hold the electrode handle and immerse the sensing head completely into the solution to be measured.
5. Gently shake the electrode.
6. The conductivity value and the temperature of the solution are displayed.

Manual Range Selection

The meter defaults to automatic range setting. To manually set the range, press **RANGE** to cycle through the selections until the desired range is displayed:

- 200.0 uS
- 2.000 mS
- 20.00 mS
- 200.0 mS
- Auto

Zero Adjustment

“0” should appear on the display when the range is 200 uS and the probe is not immersed in a solution. If the display shows a value of < 2.0 uS, adjust the value to zero by pressing **RANGE** for 10 seconds until zero is displayed.

TDS Measurement

1. Plug the conductivity probe into the CD socket on top of the meter.
2. Press **POWER** to turn the meter **on**.
3. Press **FUNCTION** to cycle through the available functions until “tdS” is displayed.
4. Hold the electrode handle and immerse the sensing head completely into the solution to be measured.
5. Gently shake the electrode.
6. The TDS value and the temperature of the solution are displayed.

Note...

During conductivity measurement, simply press **FUNCTION** to switch to TDS measurement.

Salinity Measurement

1. Plug the conductivity probe into the CD socket on top of the meter.
2. Press **POWER** to turn the meter **on**.
3. Press **FUNCTION** to cycle through the available functions until “SALt” is displayed.
4. Hold the electrode handle and immerse the sensing head completely into the solution to be measured.
5. Gently shake the electrode.
6. The salinity value as a percentage of weight is displayed.

Note...

During TDS measurement, simply press **FUNCTION** to switch to salinity measurement.

POWER SUPPLY

Battery Power

This meter uses one DC 9 V (006 P) heavy-duty alkaline battery. To install the battery before first use:

1. Unscrew and remove the screw on the back battery cover.
2. Slide off the battery cover in the direction of the arrows.
3. Insert a new 9 V battery by snapping the terminals into the connectors.
4. Replace the battery cover and reinstall the screw.

Replace the battery when the low-battery icon shows on the LCD. However, accurate measurements may still be made for several hours after the low-battery icon appears.

Note...

Before replacing the batteries, turn the meter **off** and disconnect the probe. This is necessary for most meters, but I did not see this instruction in the manufacturer info. Please remove if it is not necessary.

DC Adapter

Note...

When the optional DC power adapter is connected, the meter will supply power from the adapter rather than the batteries. The meter will remain on while the adapter is connected and the power button will be disabled.

To connect the DC adapter, open the cover on the side of the meter and insert the adapter plug into the DC 9V adapter socket.

SPECIFICATIONS

General Specifications

| | |
|------------------------------|--|
| Circuit | Custom one-chip microprocessor LSI circuit |
| Display | 52 x 38 mm LCD |
| Sample Rate | ~ 1 second |
| Operating RH% | < 85% RH |
| Operating Temperature | 0 - 50 °C 32 - 122 °F |
| Power Consumption | ~ DC 14 mA with backlight off ~ DC 26 mA with backlight on |
| Power Supply | One DC 9V (006 P) heavy-duty alkaline battery Optional: DC 9V adapter input |
| Dimensions | 7.0" x 2.7" x 1.9" 177 x 68 x 45 mm |
| Weight | 489 g / 1.08 lb |

Electrical Specifications (23 ± 5 °C)

| pH / mV | | | | |
|------------------------------------|-----------|--|------------|------------------------------------|
| Measurement | | Range | Resolution | Accuracy (for calibrated meter) |
| | pH | 0 to 14 pH | 0.01 pH | ± (0.02 + 2 d) |
| | mV | -1999 to 1999 mV | 1 mV | ± (0.5% + 2 d) |
| Input Impedance | | 10 ¹² ohm | | |
| pH Temperature Compensation | | Manual: 0 – 100 °C Automatic (ATC): 0 – 65 °C with optional temperature probe | | |
| pH Calibration | | pH 4, pH 7, pH 10 (3-point calibration) | | |

| General Conductivity | |
|------------------------------------|--|
| Temperature Compensation | Automatic (ATC) from 0 to 60 °C (32 to 140 °F) with temperature compensation factor variable between 0 to 5.0% per °C. |
| Probe Operating Temperature | 0 to 60 °C |

| Conductivity | | | |
|--------------------------|--------------|------------|---|
| Measurement | Range | Res | Accuracy |
| 0 - 200.00 uS | 200 uS | 0.1 uS | ± (2% full scale + 1 d) for measurement values ≤ 100 mS |
| 0.20 - 2.00 mS | 2 mS | 0.001 mS | |
| 2.00 - 20.00 mS | 20 mS | 0.01 mS | |
| 20.00 - 200.00 mS | 200 mS | 0.1 mS | |

| Total Dissolved Solids | | | |
|-------------------------------|--------------|------------|---|
| Measurement | Range | Res | Accuracy |
| 0 - 132 ppm | 200 ppm | 0.1 ppm | ± (2% full scale + 1 d) for measurement values ≤ 66,000 ppm |
| 132 - 1,320 ppm | 2,000 ppm | 1 ppm | |
| 1,320 - 13,200 ppm | 20,000 ppm | 10 ppm | |
| 13,200 - 132,000 ppm | 200,000 ppm | 100 ppm | |

| Temperature | | | |
|--------------------------|--------------|-------------------|-----------------|
| Measurement Units | Range | Resolution | Accuracy |
| °C | 0 - 60 °C | 0.1 °C | ± 0.8 °C |
| °F | 32 - 140 °F | 0.1 °F | ± 1.5 °F |

| Salinity | | |
|-----------------------|-------------------|----------------------------|
| Range | Resolution | Accuracy |
| 0 -12% salt by weight | 0.01% salt | 0.5% salt value full scale |

| Dissolved Oxygen | | | |
|-------------------------------------|--------------------------------|---------------------|-----------------------|
| Temperature Compensation | Automatic (ATC) from 0 - 50 °C | | |
| Salinity Compensation | 0 - 50% salt | | |
| Altitude Compensation (M.T.) | 0 - 8900 meters | | |
| Measurement | Range | Res | Accuracy |
| Dissolved Oxygen | 0 - 20.0 mg/L | 0.1 mg/L | ± 0.4 mg/L |
| Oxygen in Air | 0 - 100.0% | 0.1% O ₂ | ± 0.7% O ₂ |
| Temperature | 0 - 50 °C | 0.1 °C | ± 0.8% °C / 1.5 °F |

Note...

The above dissolved oxygen specifications apply only to environments with RF Field Strength of less than 3 V/m and frequencies of less than 30 MHz.

ACCESSORIES

| Probe | Description |
|--------------|--|
| 840016 | pH Probe |
| 840038 | ATC Temperature Probe |
| 840049 | Spear tip Probe |
| 840051 | Flat Surface pH Probe |
| 850088 | ORP Probe |
| 850081C/TD | Conductivity/TDS Probe |
| 850081C/SG | PT Glass Low Conductivity Probe |
| 850081DO | Replacement ATC Dissolved Oxygen Probe |

WARRANTY

Sper Scientific warrants this product against defects in materials and workmanship for a period of **five (5) years** from the date of purchase, and agrees to repair or replace any defective unit without charge. If your model has since been discontinued, an equivalent Sper Scientific product will be substituted if available. This warranty does not cover probes, batteries, battery leakage, or damage resulting from accident, tampering, misuse, or abuse of the product. Opening the meter to expose its electronics will break the waterproof seal and void the warranty.

To obtain warranty service, ship the unit postage prepaid to:

SPER SCIENTIFIC LTD.
8281 East Evans Road, Suite #103
Scottsdale, AZ 85260

The defective unit must be accompanied by a description of the problem and your return address. Register your product online at www.sperwarranty.com within 10 days of purchase.