



More information on the website
radwag.com/en/info,w1,HWB

Ramp for H9 1500kg Scale, Ramp for H6 600kg Scale, Ramp for H7 1500kg Scale, Ramp for C11 3000kg Scale, Ramp for H8 1500kg Scale, Ramp for C11 6000kg Scale, Ramp for C8 3000kg Scale, Ramp for C9 3000kg Scale, Ramp for C7 1500kg Scale, Ramp for H10 3000kg Scale, Ramp for H8 3000kg Scale, Ramp for C9 1500kg Scale, Ramp for C6 1500kg Scale, Ramp for C10 3000kg Scale, Ramp for H9 3000kg Scale, Ramp for C10 6000kg Scale, Ramp for C9 6000kg Scale



Ramp for H9 1500kg Scale
 Ramp for H6 600kg Scale
 Ramp for H7 1500kg Scale
 Ramp for H8 1500kg Scale
 Ramp for H10 3000kg Scale
 Ramp for H8 3000kg Scale
 Ramp for H9 3000kg Scale

Ramp for C11 3000kg Scale
 Ramp for C11 6000kg Scale
 Ramp for C8 3000kg Scale
 Ramp for C9 3000kg Scale
 Ramp for C7 1500kg Scale
 Ramp for C9 1500kg Scale
 Ramp for C6 1500kg Scale
 Ramp for C10 3000kg Scale
 Ramp for C10 6000kg Scale
 Ramp for C9 6000kg Scale

Datasheet

	Ramp for C9 3000kg Scale	Ramp for H9 3000kg Scale	Ramp for H9 1500kg Scale
Metrological parameters			
Max readability for non-verified scale			
Physical parameters			
Platform size	1500×1460 mm	1500×1400 mm	1500×1150 mm

Datasheet

	Ramp for C7 1500kg Scale	Ramp for C10 6000kg Scale	Ramp for H6 600kg Scale
Metrological parameters			
Max readability for non-verified scale			
Physical parameters			
Platform size	1000×1460 mm	1500×1995 mm	800×1150 mm

Datasheet

	Ramp for H10 3000kg Scale	Ramp for C9 6000kg Scale	Ramp for H7 1500kg Scale
Metrological parameters			
Max readability for non-verified scale			
Physical parameters			
Platform size	1500×1400 mm	1500×1995 mm	1000×1150 mm

Datasheet

	Ramp for H8 3000kg Scale	Ramp for C11 3000kg Scale	Ramp for C9 1500kg Scale
Metrological parameters			
Max readability for non-verified scale		200 g	
Physical parameters			
Platform size	1200×1400 mm	2000×1995 mm	1500×1460 mm

Datasheet

	Ramp for H8 1500kg Scale	Ramp for C6 1500kg Scale	Ramp for C11 6000kg Scale
Metrological parameters			
Max readability for non-verified scale			
Physical parameters			
Platform size	1200×1150 mm	800×1400 mm	2000×1995 mm

Datasheet

	Ramp for C8 3000kg Scale	Ramp for C10 3000kg Scale
Metrological parameters		
Max readability for non-verified scale		200 g
Physical parameters		
Platform size	1200×1460 mm	1500×1460 mm



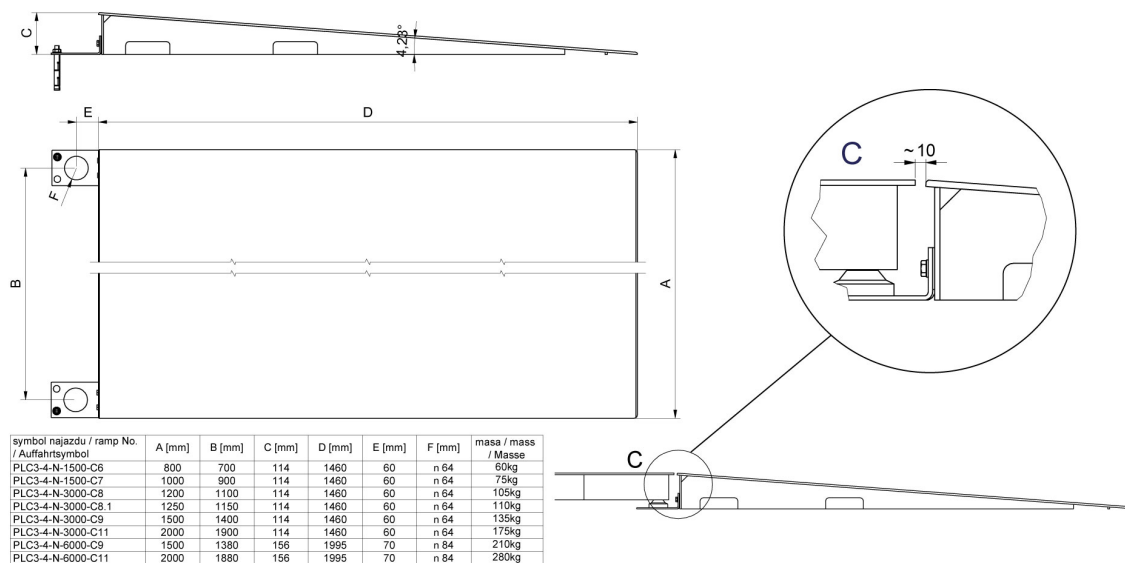
Compatible with

HX7.4 Multifunctional Platform Scales
C315.4 Platform Scales
HX7.4 H Multifunctional Stainless Steel Platform Scales

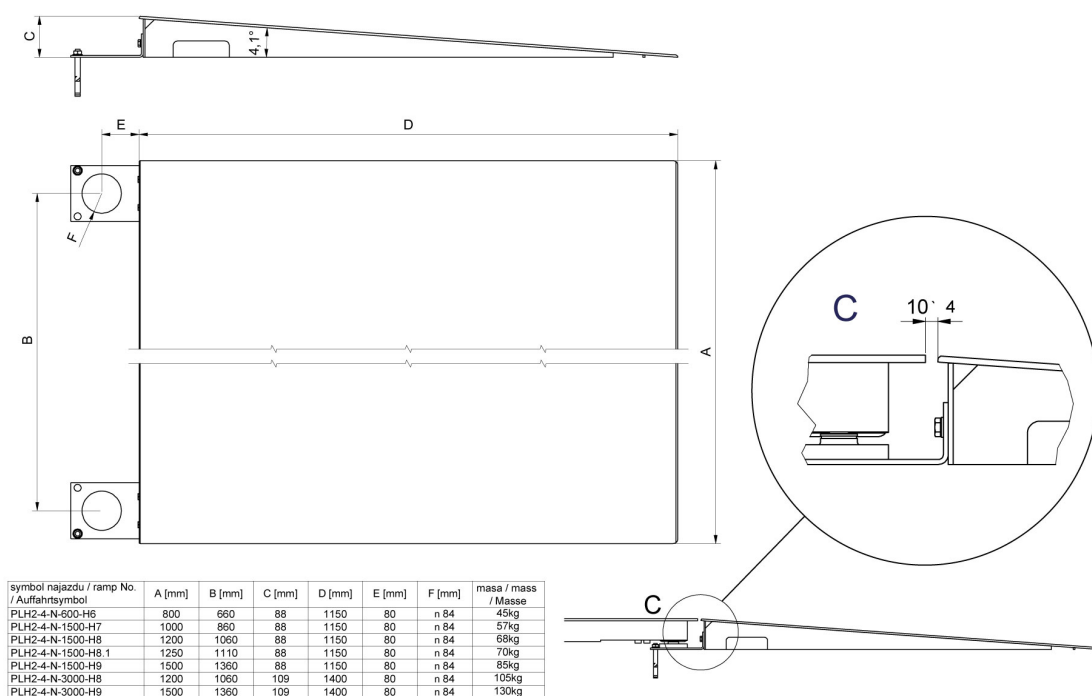
H315 4H Stainless Steel Platform Scales
H315 4C Platform Scales

Device dimensions

Ramp for H9 1500kg Scale, Ramp for H6 600kg Scale, Ramp for H7 1500kg Scale, Ramp for C11 3000kg Scale, Ramp for H8 1500kg Scale, Ramp for C11 6000kg Scale, Ramp for C8 3000kg Scale, Ramp for C9 3000kg Scale, Ramp for C7 1500kg Scale, Ramp for H10 3000kg Scale, Ramp for H8 3000kg Scale, Ramp for C9 1500kg Scale, Ramp for C6 1500kg Scale, Ramp for C10 3000kg Scale, Ramp for H9 3000kg Scale, Ramp for C10 6000kg Scale, Ramp for C9 6000kg Scale



Ramps made of powder-coated steel



Ramps made of stainless steel