



PL/4N/600/H4.LD, PL/4N/300/H2.LD, PL/4N/1500/H4.LD, PL/4N/600/H2.LD,  
 PL/4N/150/H1.LD, PL/4N/1500/H2.LD, PL/4N/600/H3.LD, PL/4N/600/H1.LD,  
 PL/4N/300/H4.LD, PL/4N/300/H3.LD, PL/4N/1500/H3.LD, PL/4N/300/H1.LD

More information on the website  
[radwag.com/en/info,w1,MRQ](http://radwag.com/en/info,w1,MRQ)



PL/4N/600/H4.LD  
 PL/4N/300/H2.LD  
 PL/4N/1500/H4.LD  
 PL/4N/600/H2.LD  
 PL/4N/150/H1.LD  
 PL/4N/1500/H2.LD  
 PL/4N/600/H3.LD  
 PL/4N/600/H1.LD  
 PL/4N/300/H4.LD  
 PL/4N/300/H3.LD  
 PL/4N/1500/H3.LD  
 PL/4N/300/H1.LD

## Datasheet

	PL/4N/150/H1.LD	PL/4N/300/H4.LD	PL/4N/300/H2.LD
<b>Metrological parameters</b>			
<b>Maximum capacity [Max]</b>	150 kg	300 kg	300 kg
<b>Readability [d]</b>	50 g	100 g	100 g
<b>Construction</b>			
<b>Construction</b>	stainless steel	stainless steel	stainless steel
<b>Physical parameters</b>			
<b>Weighing pan dimensions</b>	840×860 mm	1500×1500 mm	1100×1200 mm
<b>Weighing platform height</b>	76 mm	77 mm	77 mm

## Datasheet

	PL/4N/300/H3.LD	PL/4N/300/H1.LD	PL/4N/600/H4.LD
<b>Metrological parameters</b>			
<b>Maximum capacity [Max]</b>	300 kg	300 kg	600 kg
<b>Readability [d]</b>	100 g	100 g	200 g
<b>Construction</b>			
<b>Construction</b>	stainless steel	stainless steel	stainless steel
<b>Physical parameters</b>			
<b>Weighing pan dimensions</b>	1200×1500 mm	840×860 mm	1500×1500 mm
<b>Weighing platform height</b>	77 mm	76 mm	77 mm

## Datasheet

	PL/4N/600/H2.LD	PL/4N/600/H3.LD	PL/4N/600/H1.LD
Metrological parameters			
Maximum capacity [Max]	600 kg	600 kg	600 kg
Readability [d]	200 g	200 g	200 g
Construction			
Construction	stainless steel	stainless steel	stainless steel
Physical parameters			
Weighing pan dimensions	1100×1200 mm	1200×1500 mm	840×860 mm
Weighing platform height	77 mm	77 mm	76 mm

## Datasheet

	PL/4N/1500/H4.LD	PL/4N/1500/H3.LD	PL/4N/1500/H2.LD
Metrological parameters			
Maximum capacity [Max]	1500 kg	1500 kg	1500 kg
Readability [d]	500 g	500 g	500 g
Construction			
Construction	stainless steel	stainless steel	stainless steel
Physical parameters			
Weighing pan dimensions	1500×1500 mm	1200×1500 mm	1100×1200 mm
Weighing platform height	77 mm	77 mm	77 mm



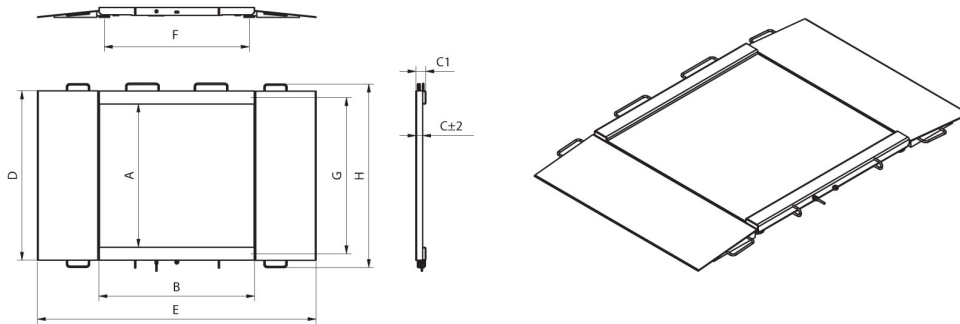
## Accessories

PUE 5 Terminal  
PUE 7.1 Terminal

PUE HX7 Terminal  
PUE HY10 Terminal

## Device dimensions

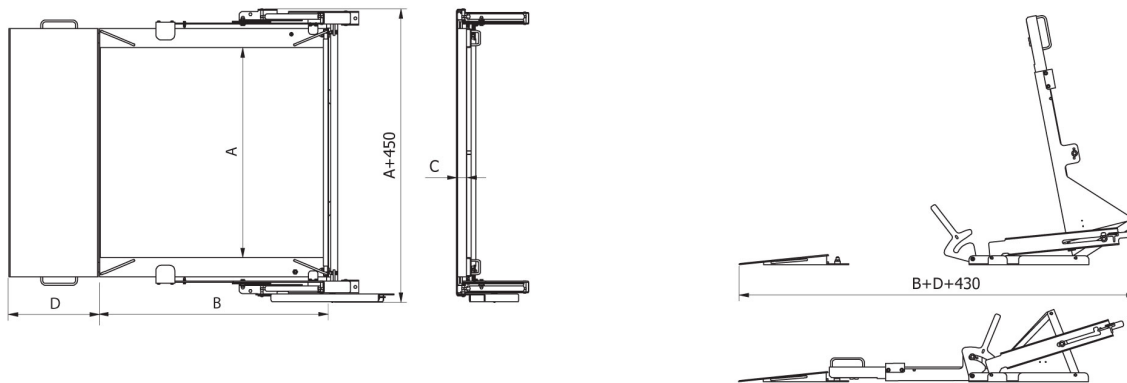
PL/4N/600/H4.LD, PL/4N/300/H2.LD, PL/4N/1500/H4.LD, PL/4N/600/H2.LD, PL/4N/150/H1.LD, PL/4N/1500/H2.LD, PL/4N/600/H3.LD, PL/4N/600/H1.LD, PL/4N/300/H4.LD, PL/4N/300/H3.LD, PL/4N/1500/H3.LD, PL/4N/300/H1.LD



Platform	Max	A	B	C	C1	D	E	F	G	H
PL/4N/400/H1	400 kg	840	860	45.5	76	1040	approx. 1710	778	940	1170
PL/4N/400/H2	400 kg	1100	1200	45.5	76	1300	approx. 2050	1118	1200	1430
PL/4N/800/H2	800 kg	1100	1200	45.5	76	1300	approx. 2050	1118	1200	1430
PL/4N/800/H3	800 kg	1200	1500	45.5	76	1400	approx. 2350	1418	1300	1530
PL/4N/1500/H2	1500 kg	1100	1200	52.5	76	1300	approx. 2150	1118	1200	1430
PL/4N/1500/H3	1500 kg	1200	1500	52.5	76	1400	approx. 2450	1418	1300	1530
PL/4N/1500/H4	1500 kg	1500	1500	52.5	76	1700	approx. 2450	1418	1600	1830

dimensions in mm

### PL/4/N



Platform	A	B	C	D
PL/4/N/150/H1.LD	840	860	45	426
PL/4/N/300/H1.LD	840	860	45	426
PL/4/N/600/H1.LD	840	860	45	426
PL/4/N/300/H2.LD	1100	1200	45	426
PL/4/N/600/H2.LD	1100	1200	45	426
PL/4/N/300/H3.LD	1200	1500	45	426
PL/4/N/600/H3.LD	1200	1500	45	426
PL/4/N/1500/H2.LD	1100	1200	52	476
PL/4/N/1500/H3.LD	1200	1500	52	476
PL/4/N/300/H4.LD	1500	1500	52	476
PL/4/N/600/H4.LD	1500	1500	52	476
PL/4/N/1500/H4.LD	1500	1500	52	476

dimensions in mm

### PL/4/N.LD