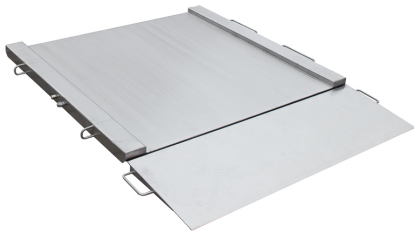




PL/4N/1500/H3, PL/4N/600/H2, PL/4N/150/H1 , PL/4N/1500/H4, PL/4N/300/H4,
 PL/4N/300/H2, PL/4N/600/H1 , PL/4N/600/H4, PL/4N/300/H1 , PL/4N/1500/H2,
 PL/4N/600/H3, PL/4N/300/H3

More information on the website
radwag.com/en/info,w1,CWH



PL/4N/1500/H3
 PL/4N/600/H2
 PL/4N/150/H1
 PL/4N/1500/H4
 PL/4N/300/H4
 PL/4N/300/H2
 PL/4N/600/H1
 PL/4N/600/H4
 PL/4N/300/H1
 PL/4N/1500/H2
 PL/4N/600/H3
 PL/4N/300/H3

Datasheet

	PL/4N/150/H1	PL/4N/300/H1	PL/4N/300/H3
Metrological parameters			
Maximum capacity [Max]	150 kg	300 kg	300 kg
Readability [d]	50 g	100 g	100 g
Construction			
Construction	stainless steel	stainless steel	stainless steel
Physical parameters			
Weighing pan dimensions	840×860 mm	840×860 mm	1200×1500 mm
Weighing platform height	76 mm	76 mm	77 mm

Datasheet

	PL/4N/300/H4	PL/4N/300/H2	PL/4N/600/H1
Metrological parameters			
Maximum capacity [Max]	300 kg	300 kg	600 kg
Readability [d]	100 g	—	—
Construction			
Construction	stainless steel	stainless steel	stainless steel
Physical parameters			
Weighing pan dimensions	1500×1500 mm	1100×1200 mm	840×860 mm
Weighing platform height	77 mm	77 mm	76 mm

Datasheet

	PL/4N/600/H4	PL/4N/600/H2	PL/4N/600/H3
Metrological parameters			
Maximum capacity [Max]	600 kg	600 kg	600 kg
Readability [d]	200 g	200 g	200 g
Construction			
Construction	stainless steel	stainless steel	stainless steel
Physical parameters			
Weighing pan dimensions	1500×1500 mm	1100×1200 mm	1200×1500 mm
Weighing platform height	77 mm	77 mm	77 mm

Datasheet

	PL/4N/1500/H3	PL/4N/1500/H2	PL/4N/1500/H4
Metrological parameters			
Maximum capacity [Max]	1500 kg	1500 kg	1500 kg
Readability [d]	500 g	500 g	500 g
Construction			
Construction	stainless steel	stainless steel	stainless steel
Physical parameters			
Weighing pan dimensions	1200×1500 mm	1100×1200 mm	1500×1500 mm
Weighing platform height	77 mm	77 mm	77 mm



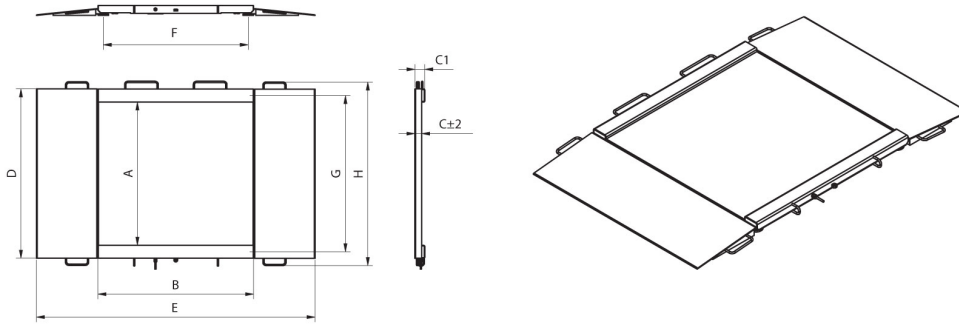
Accessories

PUE 5 Terminal
PUE 7.1 Terminal

PUE HX7 Terminal
PUE HY10 Terminal

Device dimensions

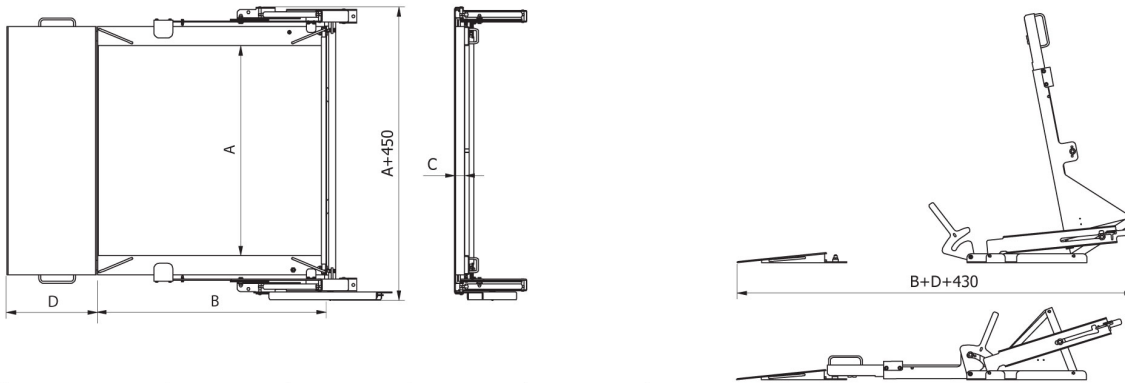
PL/4N/1500/H3, PL/4N/600/H2, PL/4N/150/H1 , PL/4N/1500/H4, PL/4N/300/H4, PL/4N/300/H2, PL/4N/600/H1 , PL/4N/600/H4, PL/4N/300/H1 , PL/4N/1500/H2, PL/4N/600/H3, PL/4N/300/H3



Platform	Max	A	B	C	C1	D	E	F	G	H
PL/4N/400/H1	400 kg	840	860	45.5	76	1040	approx. 1710	778	940	1170
PL/4N/400/H2	400 kg	1100	1200	45.5	76	1300	approx. 2050	1118	1200	1430
PL/4N/800/H2	800 kg	1100	1200	45.5	76	1300	approx. 2050	1118	1200	1430
PL/4N/800/H3	800 kg	1200	1500	45.5	76	1400	approx. 2350	1418	1300	1530
PL/4N/1500/H2	1500 kg	1100	1200	52.5	76	1300	approx. 2150	1118	1200	1430
PL/4N/1500/H3	1500 kg	1200	1500	52.5	76	1400	approx. 2450	1418	1300	1530
PL/4N/1500/H4	1500 kg	1500	1500	52.5	76	1700	approx. 2450	1418	1600	1830

dimensions in mm

PL/4/N



Platform	A	B	C	D
PL/4/N/150/H1.LD	840	860	45	426
PL/4/N/300/H1.LD	840	860	45	426
PL/4/N/600/H1.LD	840	860	45	426
PL/4/N/300/H2.LD	1100	1200	45	426
PL/4/N/600/H2.LD	1100	1200	45	426
PL/4/N/300/H3.LD	1200	1500	45	426
PL/4/N/600/H3.LD	1200	1500	45	426
PL/4/N/1500/H2.LD	1100	1200	52	476
PL/4/N/1500/H3.LD	1200	1500	52	476
PL/4/N/300/H4.LD	1500	1500	52	476
PL/4/N/600/H4.LD	1500	1500	52	476
PL/4/N/1500/H4.LD	1500	1500	52	476

dimensions in mm

PL/4/N.LD