



More information on the website
radwag.com/en/info,w1,9GS

PL/4/3000/H10, PL/4/6000/H10, PL/4/3000/H8/9, PL/4/300/H6, PL/4/600/H7, PL/4/3000/H8,
 PL/4/1500/H8, PL/4/1500/H9, PL/4/1500/H8/9, PL/4/600/H6, PL/4/1500/H7, PL/4/300/H7,
 PL/4/3000/H9



PL/4/3000/H10
 PL/4/6000/H10
 PL/4/3000/H8/9
 PL/4/300/H6
 PL/4/600/H7
 PL/4/3000/H8
 PL/4/1500/H8
 PL/4/1500/H9
 PL/4/1500/H8/9
 PL/4/600/H6
 PL/4/1500/H7
 PL/4/300/H7
 PL/4/3000/H9

Datasheet

	PL/4/300/H6	PL/4/300/H7	PL/4/600/H6
Metrological parameters			
Maximum capacity [Max]	300 kg	300 kg	600 kg
Readability [d]	100 g	100 g	200 g
Construction			
Construction	stainless steel	stainless steel	stainless steel
Physical parameters			
Weighing pan dimensions	800×800 mm	1000×1000 mm	800×800 mm
Weighing platform height	88 mm	88 mm	88 mm

Datasheet

	PL/4/600/H7	PL/4/1500/H9	PL/4/1500/H8/9
Metrological parameters			
Maximum capacity [Max]	600 kg	1500 kg	1500 kg
Readability [d]	200 g	500 g	500 g
Construction			
Construction	stainless steel	stainless steel	stainless steel
Physical parameters			
Weighing pan dimensions	1000×1000 mm	1500×1500 mm	1200×1500 mm
Weighing platform height	88 mm	88 mm	88 mm

Datasheet

	PL/4/1500/H7	PL/4/1500/H8	PL/4/3000/H10
Metrological parameters			
Maximum capacity [Max]	1500 kg	1500 kg	3000 kg
Readability [d]	500 g	500 g	1 kg
Construction			
Construction	stainless steel	stainless steel	stainless steel
Physical parameters			
Weighing pan dimensions	1000×1000 mm	1200×1200 mm	1500×2000 mm
Weighing platform height	88 mm	88 mm	111 mm

Datasheet

	PL/4/3000/H8/9	PL/4/3000/H9	PL/4/3000/H8
Metrological parameters			
Maximum capacity [Max]	3000 kg	3000 kg	3000 kg
Readability [d]	1 kg	1 kg	1 kg
Construction			
Construction	stainless steel	stainless steel	stainless steel
Physical parameters			
Weighing pan dimensions	1200×1500 mm	1500×1500 mm	1200×1200 mm
Weighing platform height	111 mm	111 mm	111 mm

Datasheet

	PL/4/6000/H10
Metrological parameters	
Maximum capacity [Max]	6000 kg
Readability [d]	2 kg
Construction	
Construction	stainless steel
Physical parameters	
Weighing pan dimensions	1500×2000 mm
Weighing platform height	166 mm



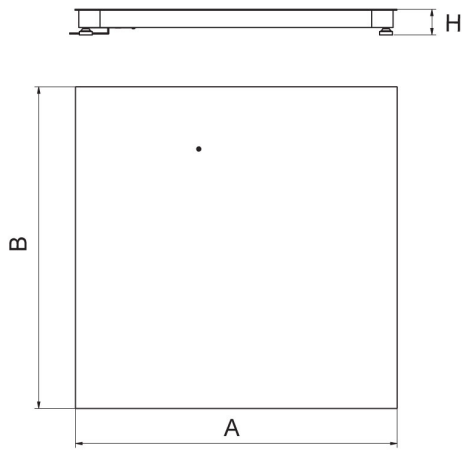
Accessories

PUE 5 Terminal
PUE 7.1 Terminal

PUE HX7 Terminal
PUE HY10 Terminal

Device dimensions

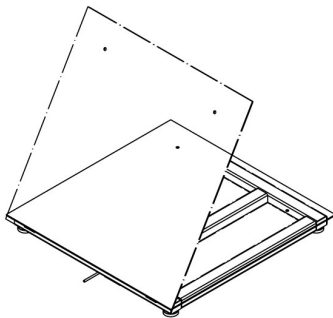
PL/4/3000/H10, PL/4/6000/H10, PL/4/3000/H8/9, PL/4/300/H6, PL/4/600/H7, PL/4/3000/H8, PL/4/1500/H8, PL/4/1500/H9, PL/4/1500/H8/9, PL/4/600/H6, PL/4/1500/H7, PL/4/300/H7, PL/4/3000/H9



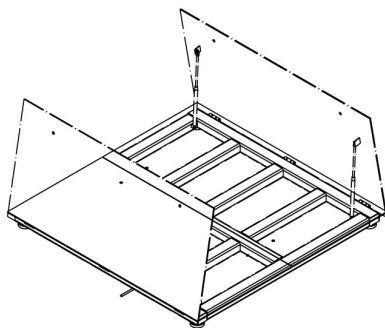
Platform	A	B	H
PLC/4/C6	800	800	120 ±10
PLC/4/C7	1000	1000	120 ±10
PLC/4/C8	1200	1200	120 ±10
PLC/4/C8/9	1200	1500	120 ±10
PLC/4/C9	1500	1500	120 ±10
PLC/4/C10	1500	2000	120 ±10
PLC/4/C11	2000	2000	120 ±10

dimensions in mm

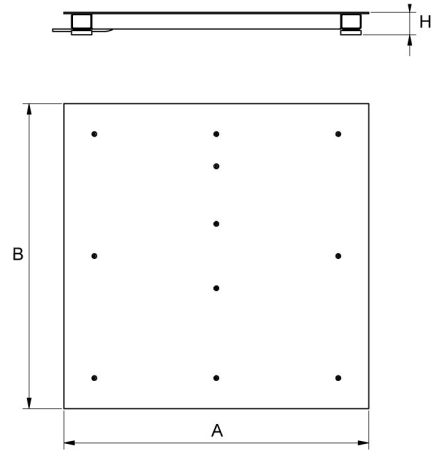
PLC/4/C



PL/4/H6/Z
 PL/4/H7/Z
 PL/4/H8/Z



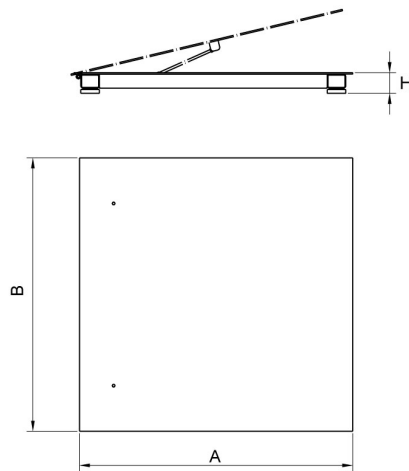
PL/4/H8/9/Z
 PL/4/H9/Z
 PL/4/H10/Z



Platform	A	B	H
PL/4/H6	800	800	88 ±2
PL/4/H7	1000	1000	88 ±2
PL/4/H8	1200	1200	88 ±2
PL/4/H8/9	1200	1500	88 ±2
PL/4/H9	1500	1500	88 ±2
PL/4/H10	1500	2000	111 ±2

dimensions in mm

PL/4/H



Platform	A	B	H
PL/4/H6/Z	800	800	88 ±2
PL/4/H7/Z	1000	1000	88 ±2
PL/4/H8/Z	1200	1200	88 ±2
PL/4/H8/9/Z	1200	1500	88 ±2
PL/4/H9/Z	1500	1500	88 ±2
PL/4/H10/Z	1500	2000	111 ±2

dimensions in mm

PL/4/H/Z