



PLC/4/1500/C9, PLC/4/3000/C8/9, PLC/4/1500/C8, PLC/4/3000/C8, PLC/4/600/C6,
 PLC/4/6000/C11, PLC/4/3000/C11, PLC/4/1500/C8/9, PLC/4/3000/C10, PLC/4/1500/C7,
 PLC/4/6000/C10, PLC/4/3000/C9

More information on the website
radwag.com/en/info,w1,9LN



PLC/4/1500/C9
 PLC/4/3000/C8/9
 PLC/4/1500/C8
 PLC/4/3000/C8
 PLC/4/600/C6
 PLC/4/6000/C11
 PLC/4/3000/C11
 PLC/4/1500/C8/9
 PLC/4/3000/C10
 PLC/4/1500/C7
 PLC/4/6000/C10
 PLC/4/3000/C9

Datasheet

	PLC/4/600/C6	PLC/4/1500/C7	PLC/4/1500/C8
Metrological parameters			
Maximum capacity [Max]	600 kg	1500 kg	1500 kg
Readability [d]	200 g	500 g	500 g
Construction			
Construction	mild steel St3S	mild steel St3S	mild steel St3S
Physical parameters			
Weighing pan dimensions	800×800 mm	1000×1000 mm	1200×1200 mm
Weighing platform height	120 ±10 mm	120 ±10 mm	120 ±10 mm

Datasheet

	PLC/4/1500/C8/9	PLC/4/1500/C9	PLC/4/3000/C8/9
Metrological parameters			
Maximum capacity [Max]	1500 kg	1500 kg	3000 kg
Readability [d]	500 g	500 g	1 kg
Construction			
Construction	mild steel St3S	mild steel St3S	mild steel St3S
Physical parameters			
Weighing pan dimensions	1200×1500 mm	1500×1500 mm	1200×1500 mm
Weighing platform height	120 ±10 mm	120 ±10 mm	120 ±10 mm

Datasheet

	PLC/4/3000/C8	PLC/4/3000/C9	PLC/4/3000/C11
Metrological parameters			
Maximum capacity [Max]	3000 kg	3000 kg	3000 kg
Readability [d]	1 kg	1 kg	1 kg
Construction			
Construction	mild steel St3S	mild steel St3S	mild steel St3S
Physical parameters			
Weighing pan dimensions	1200×1200 mm	1500×1500 mm	2000×2000 mm
Weighing platform height	120 ±10 mm	120 ±10 mm	120 ±10 mm

Datasheet

	PLC/4/3000/C10	PLC/4/6000/C10	PLC/4/6000/C11
Metrological parameters			
Maximum capacity [Max]	3000 kg	6000 kg	6000 kg
Readability [d]	1 kg	2 kg	2 kg
Construction			
Construction	mild steel St3S	mild steel St3S	mild steel St3S
Physical parameters			
Weighing pan dimensions	1500×2000 mm	1500×2000 mm	2000×2000 mm
Weighing platform height	120 ±10 mm	160 ±10 mm	160 ±10 mm



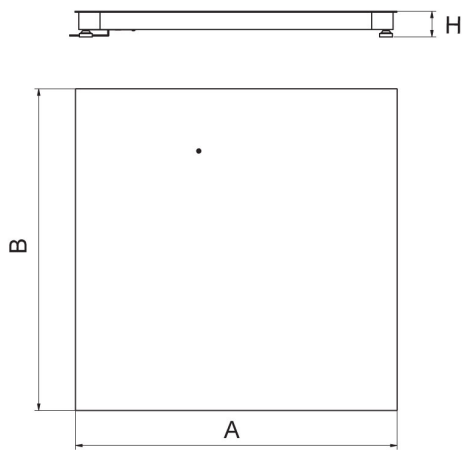
Accessories

PUE 5 Terminal
PUE C32 Terminal
PUE 7.1 Terminal
PUE HX7 Terminal

PUE C315 Indicator
PUE HY10 Terminal
PUE H315 Indicator

Device dimensions

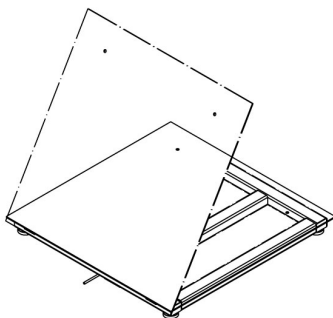
PLC/4/1500/C9, PLC/4/3000/C8/9, PLC/4/1500/C8, PLC/4/3000/C8, PLC/4/600/C6, PLC/4/6000/C11, PLC/4/3000/C11,
 PLC/4/1500/C8/9, PLC/4/3000/C10, PLC/4/1500/C7, PLC/4/6000/C10, PLC/4/3000/C9



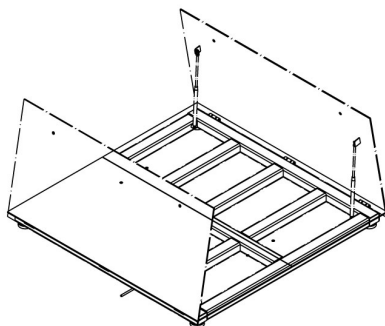
Platform	A	B	H
PLC/4/C6	800	800	120 ±10
PLC/4/C7	1000	1000	120 ±10
PLC/4/C8	1200	1200	120 ±10
PLC/4/C8/9	1200	1500	120 ±10
PLC/4/C9	1500	1500	120 ±10
PLC/4/C10	1500	2000	120 ±10
PLC/4/C11	2000	2000	120 ±10

dimensions in mm

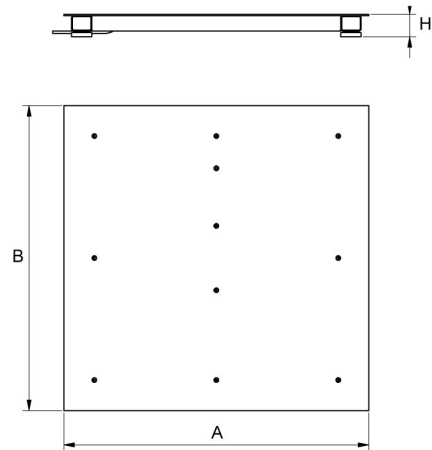
PLC/4/C



PL/4/H6/Z
 PL/4/H7/Z
PL/4/H8/Z



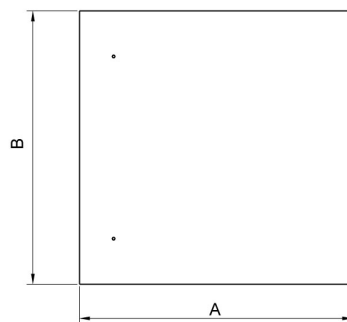
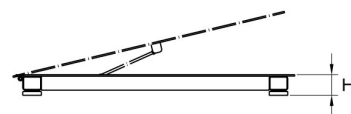
PL/4/H8/9/Z
 PL/4/H9/Z
PL/4/H10/Z



Platform	A	B	H
PL/4/H6	800	800	88 ±2
PL/4/H7	1000	1000	88 ±2
PL/4/H8	1200	1200	88 ±2
PL/4/H8/9	1200	1500	88 ±2
PL/4/H9	1500	1500	88 ±2
PL/4/H10	1500	2000	111 ±2

dimensions in mm

PL/4/H



Platform	A	B	H
PL/4/H6/Z	800	800	88 ±2
PL/4/H7/Z	1000	1000	88 ±2
PL/4/H8/Z	1200	1200	88 ±2
PL/4/H8/9/Z	1200	1500	88 ±2
PL/4/H9/Z	1500	1500	88 ±2
PL/4/H10/Z	1500	2000	111 ±2

dimensions in mm

PL/4/H/Z